



[www.lemand.eu](http://www.lemand.eu)







## Lemond Groep B.V.

Our range of products available to customers in Poland and abroad includes windows, PVC doors, roller shutters, external Venetian blinds, shop windows and aluminum items. Our designs as well as ergonomic and technical solutions satisfy the needs of discerning users.

Windows are manufactured in a linear production process supported by the latest generation of machinery at our modern plant, located within Poland's Green Lungs region. Relying on our innovative and efficient production facilities we are able to supply large shop windows and quickly turnaround private orders for PVC joinery.

Only the best solutions take part in our development and production processes. This delivers energy-efficient products of the highest quality as confirmed by numerous approvals and certificates.







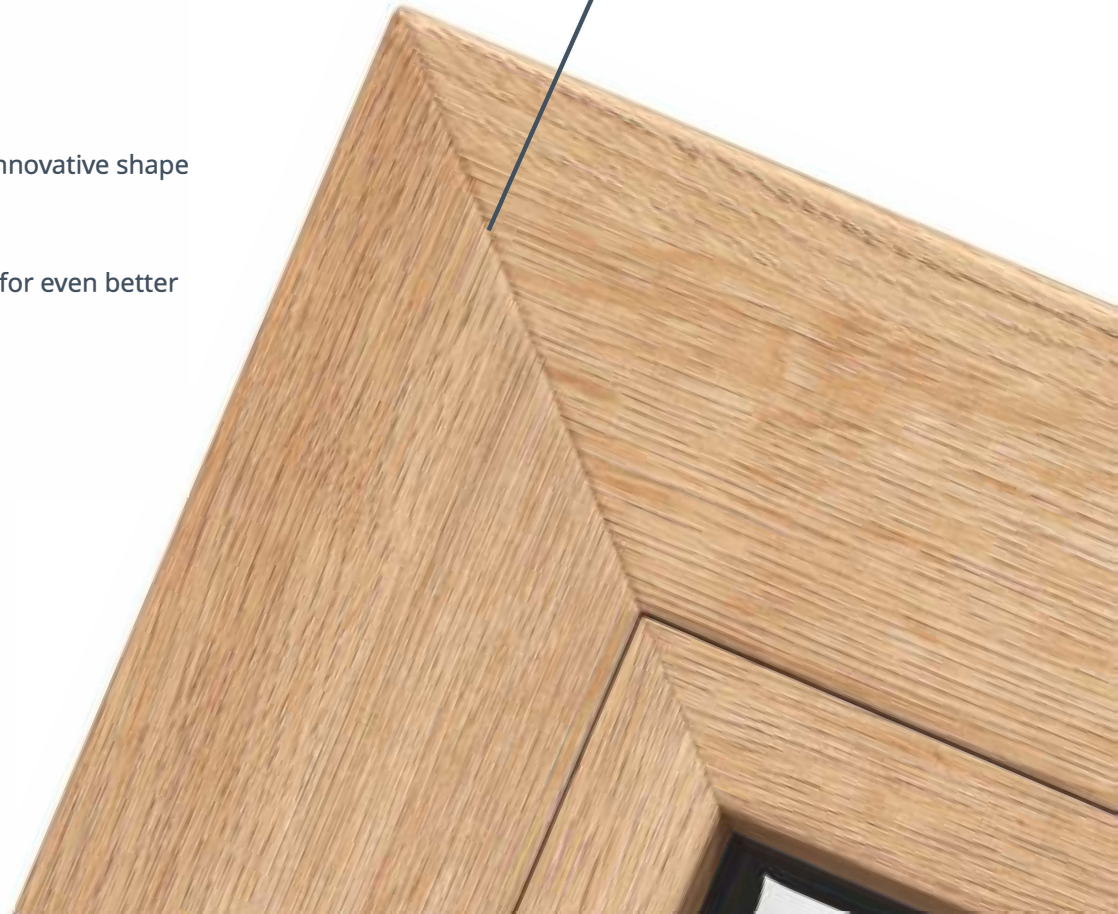
CONTENTS:

---

7-9	10-11	12	13	14	15	16	17	18	19	20-21	22	23	24-25	26	27	28-33	34-36
UPVC WINDOW SYSTEMS	DOORS AND TERRACE SYSTEMS	WINDOW HANDLES	GEALAN COLOR PALLETTE 	VEKA COLOR PALLETTE 	WINDOW FITTINGS	WINDOW VENTS - SPECIAL GLASS	MUNTINS	ORNAMENTAL GLASS	MOSQUITO SCREENS	DOOR PANELS	UPVC DOOR ACCESSORIES	HANDLES - DOOR CLOSERS	ALUMINIUM WINDOW AND DOOR SYSTEM	PULL HANDLES	ALUMINIUM DOOR PANELS	ROLLER SHUTTERS	EXTERNAL VENETIAN BLINDS



- 1 permanent and precise joining of profiles employing innovative shape welding technology
- 2 invisible weld – unique on the window joinery market, for even better looking windows
- 3 perfect welding of gaskets for a perfect seal
- 4 freedom of choice: unlimited window design options
- 5 durability and reliability for years to come





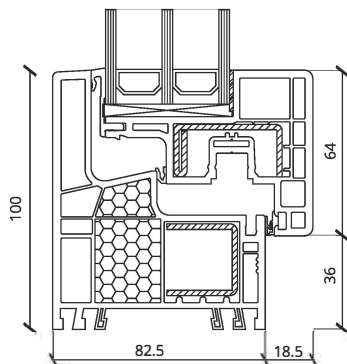
## QUADRO

GEALAN KUBUS system

0,88	4	82,5	0,7
------	---	------	-----



GEALAN



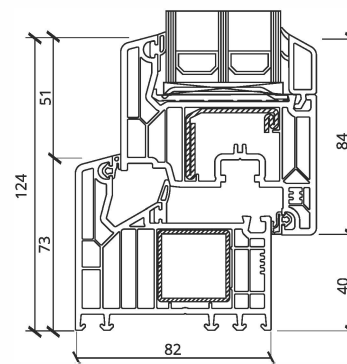
## VECTOR

VEKA Softline 82 MD system

1,0	7	82	0,77
-----	---	----	------



VEKA



UPVC WINDOW SYSTEMS

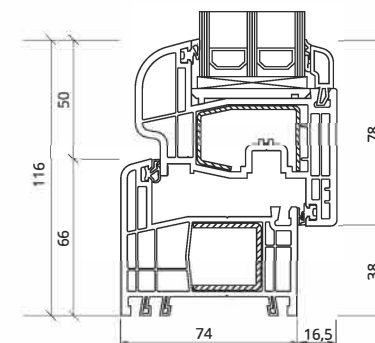
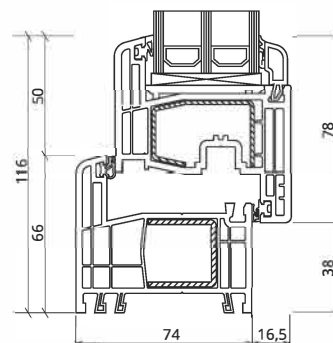


# SYNERGIC

GEALAN S 8000 system



<b>1,1</b> Uf(w/m²K)	<b>6</b> Chambers	<b>74</b> Profile width (mm)	<b>0,82</b> Uw(w/m²K) *
-------------------------	----------------------	------------------------------------	----------------------------



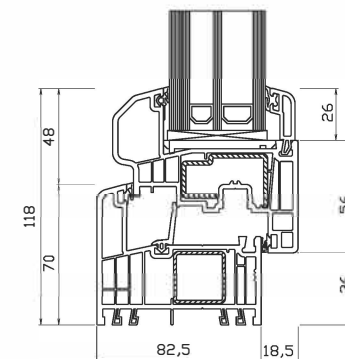
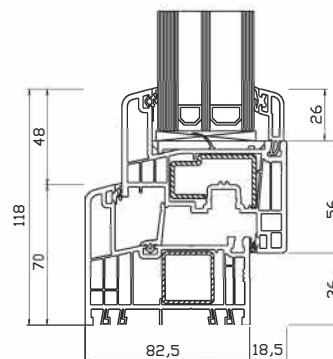
\*White profiles parameters

# ENERGETIC

GEALAN S 9000 MD system



<b>0,92</b>	<b>6</b>	<b>82,5</b>	<b>0,71</b>
-------------	----------	-------------	-------------

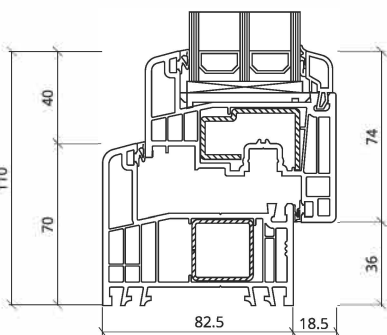
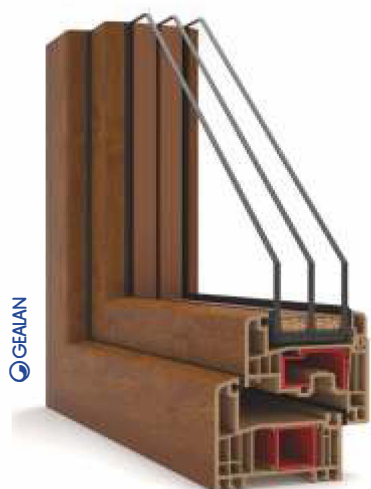


UPVC WINDOW SYSTEMS

# ADVANCE

GEALAN S 9000 AD system

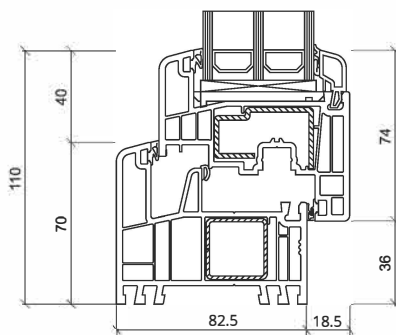
1,2	6	82,5	0,83
-----	---	------	------



# PROTECTO

GEALAN S 9000 MD system

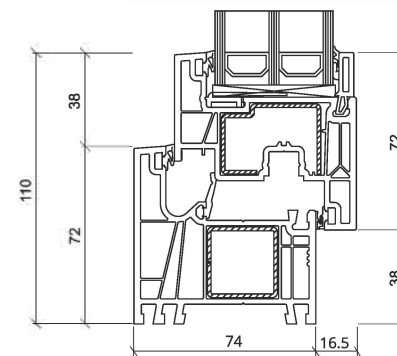
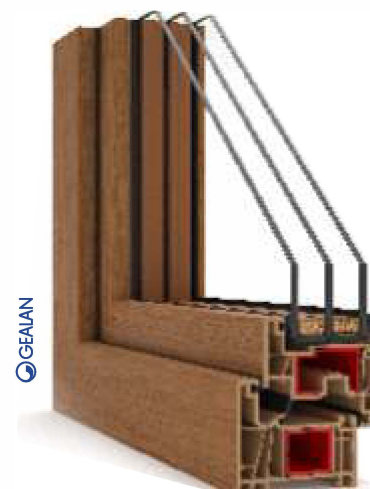
0,92	6	82,5	0,71
------	---	------	------



# CONTUR

GEALAN LINEAR system

1,0	6	74	0,77
-----	---	----	------

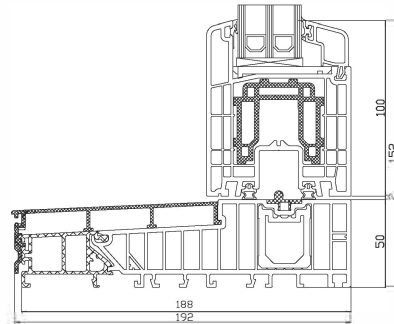


# PERSPECTIVE

GEALAN S 9000 system



0,8	1,2	190	5
-----	-----	-----	---

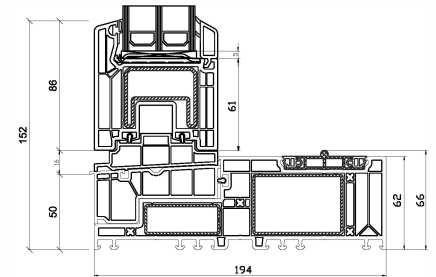


# PERSPECTIVE

VEKAMOTION 82 system

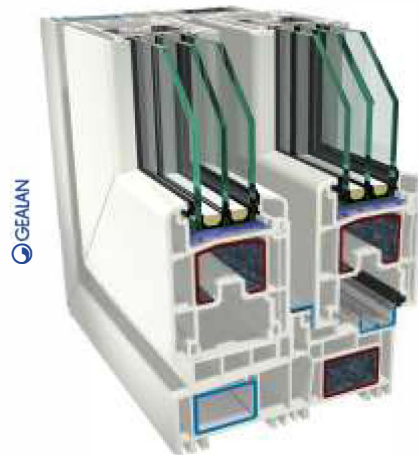


0,78	1,4	194	5
------	-----	-----	---

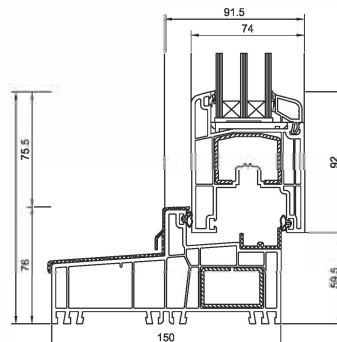


# VERANO

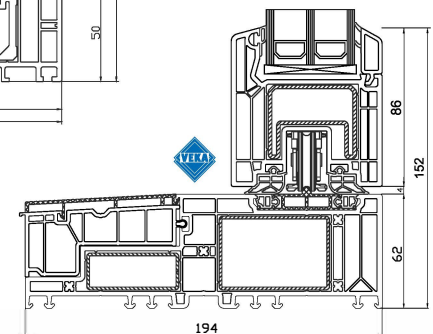
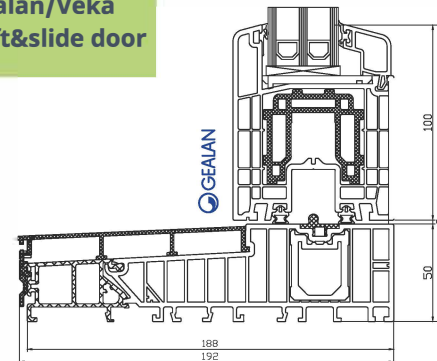
GEALAN-SMOOVIO system



0,85	1,4	150	4
------	-----	-----	---



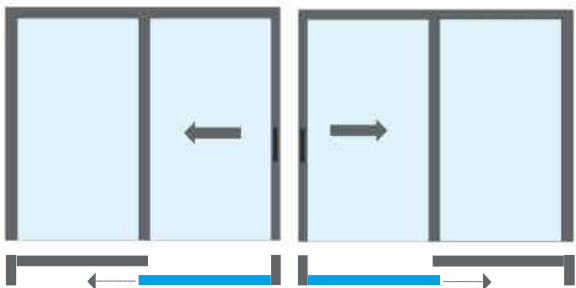
**THRESHOLD**  
Gealan/Veka  
For lift&slide door





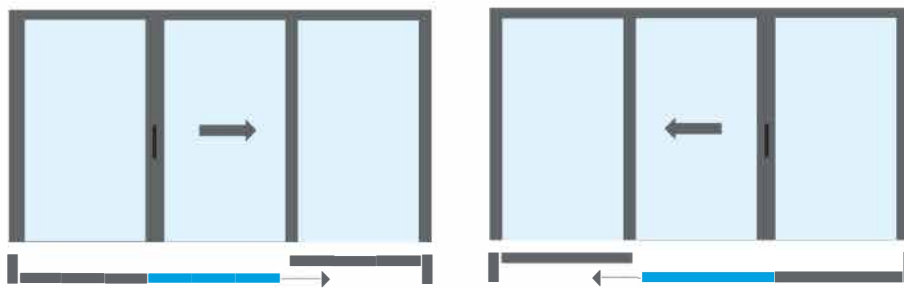
## GEALAN/VEKA sliding doors opening diagrams

SCHEME A



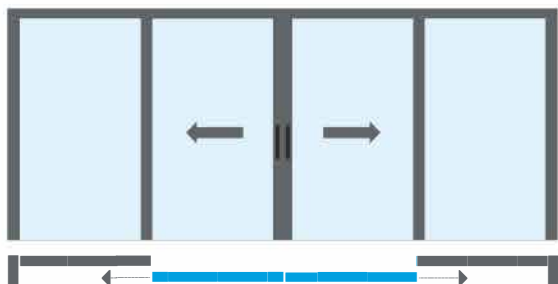
One sash slides onto the fixed section (shop window).

SCHEME G



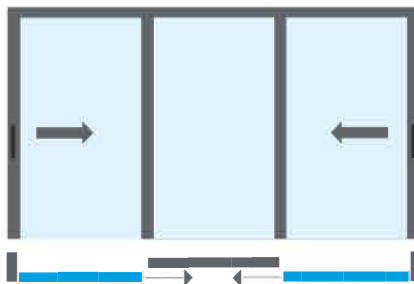
One sash slides onto the fixed section to the right or left.

SCHEME C



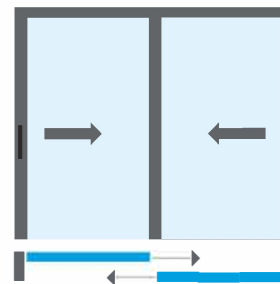
Two sashes slide onto the fixed section to the right and left sides.

SCHEME K



Two sashes slide onto the middle fixed section.

DIAGRAM D\*



Sliding right and left sashes.  
\* Only Veka.

## Window handles



**Swing**  
Available colors:  
- white  
- F1  
- F4  
- F9



**New York Secustic**  
Available colors:  
- anthracite  
- white  
- brown  
- F1  
- F4  
- F9



**New York Secustic with key**  
Available colors:  
- white  
- brown  
- F1  
- F4  
- F9



**New York Secustic with button**  
Available colors:  
- white  
- brown  
- F1  
- F4  
- F9



**Dublin**  
Available colors:  
- anthracite  
- white  
- brown  
- black  
- F1  
- F4  
- F6



**Dublin with a key**  
Available colors:  
- anthracite  
- white  
- brown  
- black  
- F1  
- F4  
- F6



**Dublin Delux**  
Available colors:  
- black



**Dublin with a button**  
Available colors:  
- anthracite  
- white  
- brown  
- black  
- F1  
- F4  
- F6



**Toulon, Toulon SecuForte**  
Available colors:  
- white  
- black  
- F1  
- F4  
- F9



**Toulon with a key, Toulon SecuForte with a key**  
Available colors:  
- white  
- black  
- F1  
- F4  
- F9



**Hamburg SecuForte**  
Available colors:  
- white  
- brown  
- black  
- F1  
- F4  
- F9



**Hamburg SecuForte with a key**  
Available colors:  
- white  
- brown  
- black  
- F1  
- F4  
- F9



**Helga**  
Available colors:  
- white  
- brown  
- F1  
- F4  
- F9



**Amsterdam**  
Available colors:  
- F6



**Standard Aluminum, Standard Aluminum with a key**  
Available colors:  
- white



**Atlanta**  
Available colors:  
- white  
- F1  
- F4  
- F9



**FreeStyle**  
Available colors:  
- white  
- brown  
- black  
- steel  
- antique brass

## Lift & Slide handles



- recessed pull handle with semi lock insert



- pull handles on both sides with lock insert



- external recessed pull handle

### Si-Line - Handles



- recessed pull handle with semi lock insert



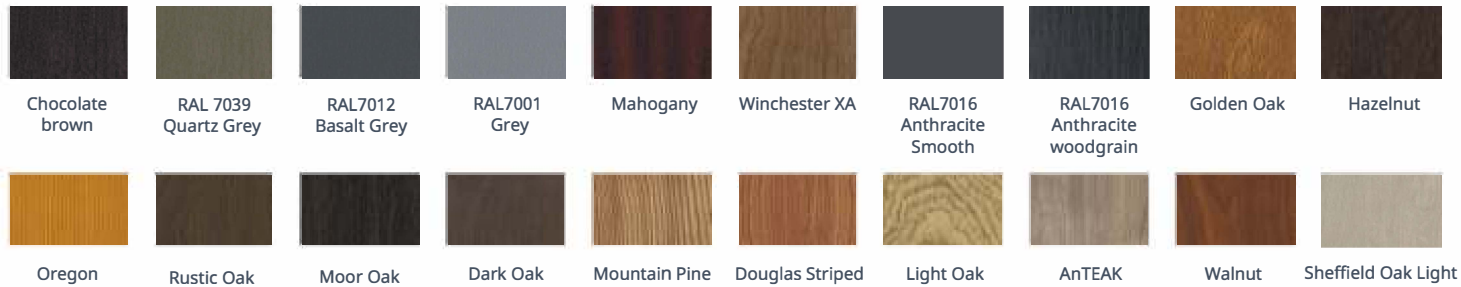
- pull handles on both sides with lock insert



- external recessed pull handle

### Hoppe Toulon - Handles

## Décor foils



## Natural and metallic effect foils



## Grained plain colours

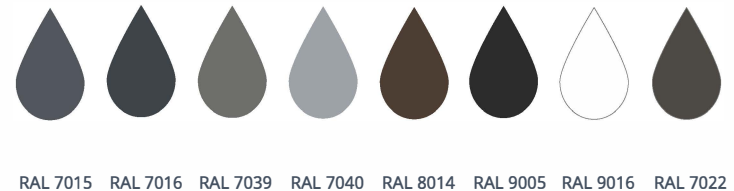


## Smooth plain colours, matt



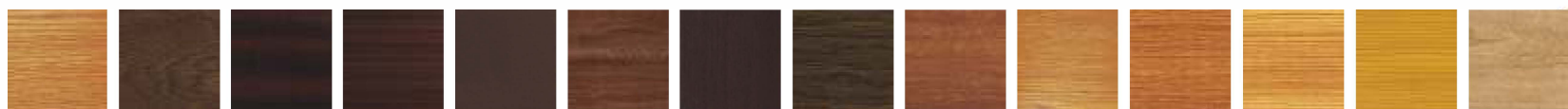
### Acrylcolor - standard colours

The GEALAN-acrylcolor® surface endows plastic windows with unique properties: durability, resistance to heating, ageing and fading. The satin-mat outer surface features timeless elegance and remains weatherproof for decades.

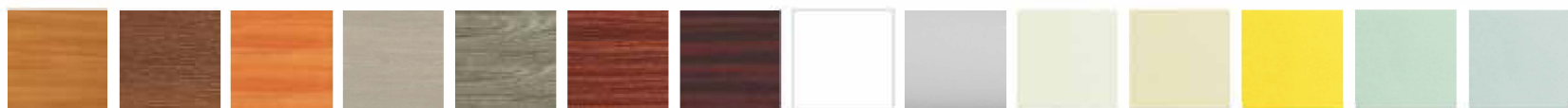




## Décor foilss



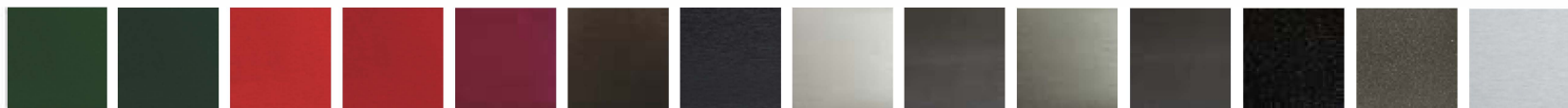
Golden Oak Hazelnut Mahogany Moor Oak Brown Sienna PR rosso Sienna PN noce Rustic oak Winchester XA Douglas Stripe Douglas Mountain Pine Light Oak OregonIII



Shogun AC Shogun AD Shogun AF Sheffield Oak Light Sheffield Oak Grey Macore Rosewood White Papyrus White Cream-white Light Ivory Zinc Yellow Light Grey Agate Grey



Alux DB 703 Silk Grey Quartz Grey Basalt Grey Basalt grey smooth Dark Grey Silver Grey Slate Grey Slate Grey smooth Brilliant Blue Cobalt Blue Navy blue Silver Grey Smooth Emerald Green



Green Dark Green Carmine Red Ruby Red Wine red Black Brown Monument Blue Aluminum Crown Platinum Quartz Platinum Earl Platinum Jet Black Quartz Grey smooth Aluminum brushed



Red Alux Grey Aluminum Monument Green Pepper Oak Supermatt Coriander Oak Supermatt Honey Oak Supermatt

## Veka Spectral



Anthracite Ultramat Platinum Grey Ultramat Graphite Black Ultramat Monument Green Ultramat Navy Blue Ultramat Dark Green Ultramat

\* Actual colours may vary slightly from the colours shown in the catalogue.

VEKA COLOR PALLETTE

## ActivPilot Concept window fitting



### PROPERTIES

Fitting groove axis to frame edge distance: 9 or 13 mm.

Fitting groove clearance: 12 mm (between 9.8 and 14 mm).  
Rebate: 18 mm or 20/21 mm.

Surface mounted hinges with symmetrical arrangement of frame hinge and stay hinge holes.

The locking system is based on octagonal mushroom-shaped pins. This makes it possible to change the anti-burglary protection standard of the window.

## ActivPilot Select window fitting



### PROPERTIES

Fitting groove axis to frame edge distance: 9 or 13 mm.

Fitting groove clearance: 12 mm (between 9.8 and 14 mm).  
Sash opening angle up to approx. 95°

Modular design provides a load capacity of up to 150 kg.

The hinges are completely invisible when a window is closed - they are mounted in the space under the sash rebate.

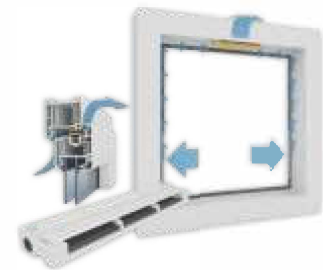
## Window vents



Aereco EMM, Aereco EXR



Gecco 3



MacoVent

## Special glass



Reflex: transparent, brown, graphite, green



Antisol: brown, blue, graphite, green

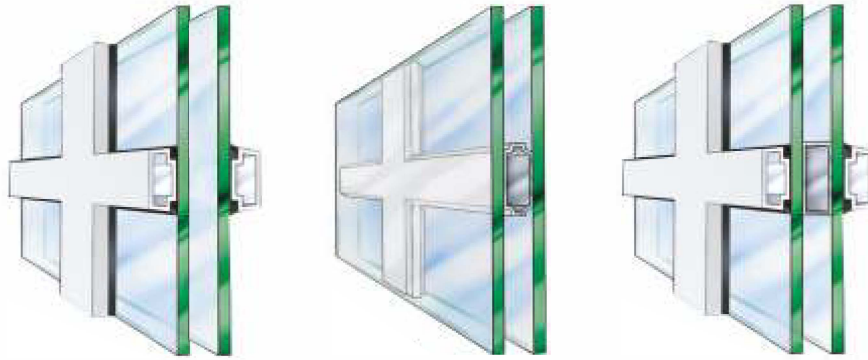


VSG - laminated



ESG - tempered

## Muntins



1

2

3

1	External muntins	Available widths:	
		VEKA	GEALAN
		25 mm 40 mm	23 mm 33 mm 43 mm
2	Internal muntins between glass	Available widths:	
		9 mm 18 mm 26 mm 45 mm	
3	Simulated divided sash bars	Available widths:	
		VEKA	GEALAN
		25 mm 40 mm	23 mm 33 mm 43 mm

## Warm edge spacers



Aluminum edge spacers

Available colours: white, grey, dark grey, light brown, dark brown, black



## Ornamental glass



Atlantic



Raindrops



Chinchilla



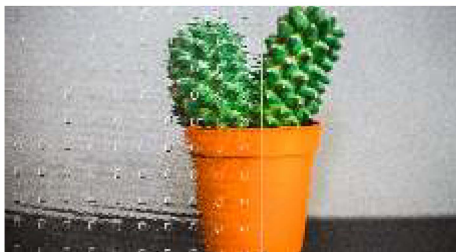
Crepi



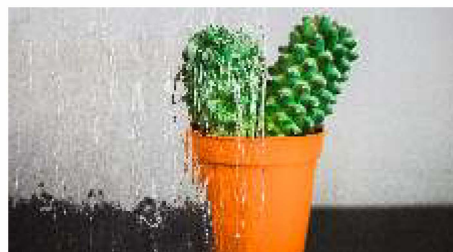
Delta



Kralika\*



Master Carre\*



Kora



Master Point\*



Master Ligne\*



Flutes

Sample photos.

\* Saint-Gobain Building Glass Poland ornamental glass pattern.

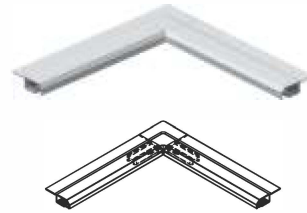
## Mosquito screens



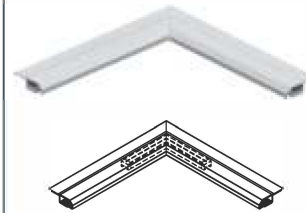
Protection against insects in the window

	Min.	Max
Width	500 mm	2000 mm
Height	500 mm	2000 mm
Minimum area of 2.6 m <sup>2</sup>		

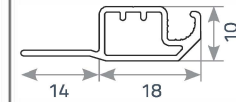
uPVC corner (external)



aluminum window corner (internal)



Cross - section



White



Brown



Silver



Anthracite



Basalt grey



Walnut



Golden Oak



Mahogany



Winchester



Moor Oak



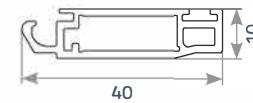
Protection against insects for doors

	Min.	Max
Width	500 mm	1200 mm
Height	1000 mm	2300 mm
Minimum area of 2,76 m <sup>2</sup>		

aluminum door corner (internal)



Cross - section



White



Brown



Silver



Anthracite



Basalt grey



Walnut



Golden Oak



Winchester

## Core product line

Characteristic: Standard size: 850 x 2000 x 24/28/36/44 mm. All models are available coated in one of 18 different foils, as well as in white and creamy white.



BL-03 (1)

BL-05 (01)

BL-07 (3)

B L - 25 (3)

BL-25 (1)

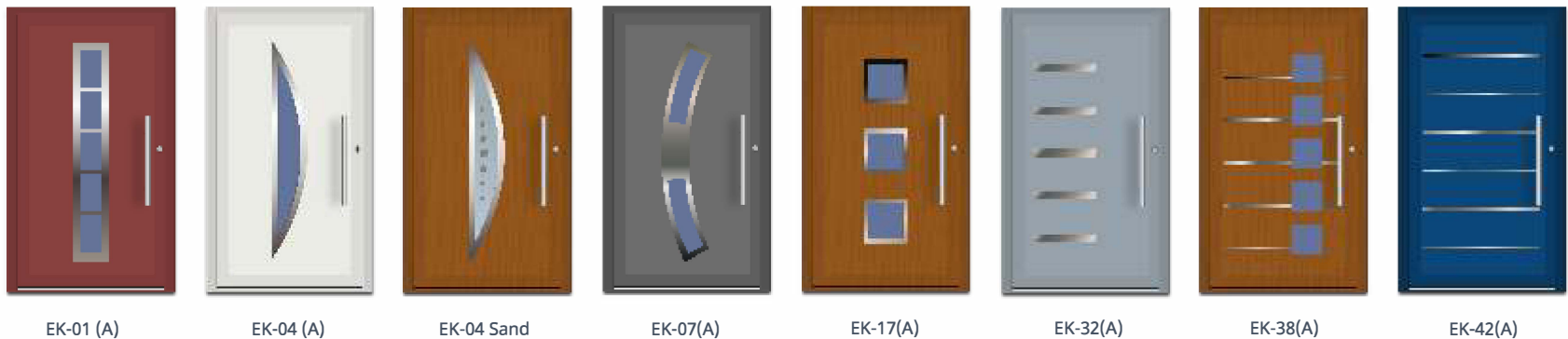
BL-11

BL-11(1)

BL-15(1)

## PVC budget product line

Characteristic: Standard size: 900x 2000 x24/28/36/44 mm PVC, Structure: 2.0/20/2.0:2.0 mm PVC panel, 20.00 mm rigid polyurethane foam, 2.0 mm uPVC Panel.



EK-01 (A)

EK-04 (A)

EK-04 Sand

EK-07(A)

EK-17(A)

EK-32(A)

EK-38(A)

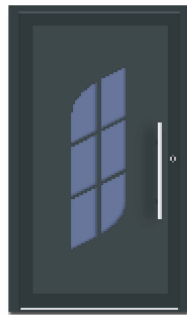
EK-42(A)

## New PVC product line\*

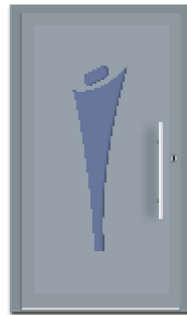
Characteristic: Standard size: 1000 x 2000 x 24/28/36/44 mm; Structure: 2.0/20/2.0 2.0 mm 2.0 mm milled aluminum sheet 20.00 mm rigid polyurethane foam 2.0 mm milled aluminum sheet.



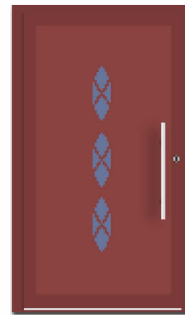
NL-EK 7



NL-EK 22



NL-EK 24



NL-EK 28



NL-EK 36



NL-EK 37

## Decors imitating wood



Golden Oak  
ADEC D101



Rustic Oak  
ADEC D210



Swamp Oak  
ADEC D502



Ebony  
ADEC M102



Walnut  
ADEC O102



Walnut vein  
ADEC O205



Mahogany  
ADEC M103



Mahogany sapeli  
ADEC M204



Pine  
ADEC S106



Pine  
ADEC S110



Fir  
ADEC J107



Fir  
ADEC S208



Beech  
ADEC B108



Cherry  
ADEC W109



Wenge  
ADEC W205



Winchester  
ADEC D207



Gean  
ADEC C110



Gean  
ADEC C212



Dark Gean  
ADEC C106



Chestnut  
ADEC K101

\* Actual colours may vary slightly from the colours shown in the catalogue.

\* The panels are also available in an aluminum version.

## Accessories for PVC doors



**MACO ZT-F automatic 3-catch drive rod (as standard):**

- key operated;
- 3 bolts hold the door sash without the need for additional locking;
- simple and quiet closing action;



**Winkhaus M2 drive rod:  
1 lock, 1 latch, 2 hooks**

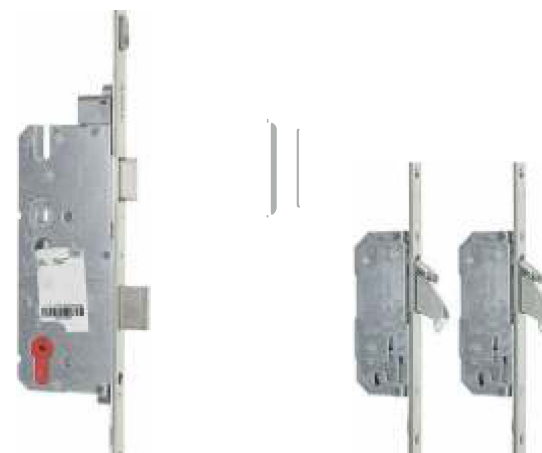
Solid steel rotary bolts penetrate deep into the strike plate and frame.

- distance from the drive rod face to the handle axis: 45 cm;
- distance from handle axis to cylinder axis 92/8 mm;
- plate width: 20 mm;



**Winkhaus M4 drive rod:  
1 lock, 1 latch, 4 hooks  
Door drive rod variant F flat plate.**

- for a cylinder in the main housing,
- distance from the drive rod face to the handle axis 55 mm,
- distance from handle axis to cylinder axis 92 mm;
- face plate width: 16 mm;



**EAV3 drive rod:  
1 lock, 1 latch, 2 hooks**

As soon as the door is closed, it automatically locks. The door is opened from the outside by a 12V electric motor which retracts the bolts and the catch. Further elements can be added to this system: remote control, transponder with a reader, fingerprint reader, keypad with a Bluetooth reader, RFID reader.



by finger pressure

using a keyboard or via a mobile telephone



## Door closers



### Geze TS2000 door closer with a link arm

- Door closer with a link arm for single sash doors up to 1250 mm sash width and variable closing force.
- variable closing force of EN2, EN4 or EN5 through offset installation
  - can be used for right and left hand doors without conversion
  - mechanical latching action which accelerates the door shortly before the closed position
  - closing speed can be individually adjusted



### Geze TS3000 door closer with a guide rail

- Overhead door closer with guide rail for single sash doors with a sash width up to 1100 mm.
- step less closing force adjustment
  - integrated opening damping, slows down doors opened forcefully
  - hydraulic latching action which accelerates the door shortly before it is closed
  - closing speed can be individually adjusted
  - all functions can be set from the front (except for closing force)



### Geze TS4000 door closer with a link arm

- Door closer with a link arm for single sash doors up to 1400 mm sash.
- EN1-6 step less closing force adjustment
  - can be used for right and left hand doors without conversion
  - mechanical latching action which accelerates the door shortly before the closed position
  - integrated opening damping, slows down doors opened forcefully



### Geze TS5000 door closer with a guide rail

- Overhead door closer with guide rail for installation on the opposite hinge side for single sash doors with a sash width up to 1400 mm.
- step less closing force adjustment
  - hydraulic latching action which accelerates the door shortly before it is closed
  - optical closing force indicator for easy adjustment

## Door handles



Handle with a split escutcheon



Handle with a long escutcheon



Handle - flat, external for roller shutters



Door handle / knob with an escutcheon



Door handle / pull with an escutcheon

## Pull handles



Spacing: 300 mm,  $\varnothing$  32 mm



L: 400 mm, 500 mm, 600 mm, 800 mm, 1000 mm, 1200 mm, 1400 mm, 1800 mm,  $\varnothing$  32 mm



Spacing: 300 mm,  $\varnothing$  32 mm



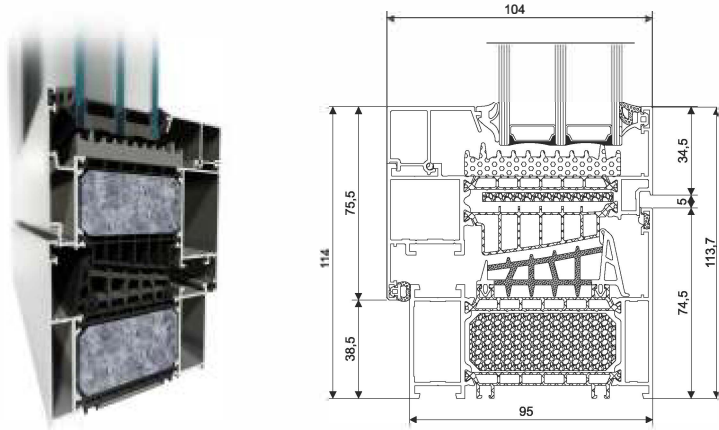
Spacing: 300 mm,  $\varnothing$  32 mm

## MB 104 system

MB 104 Passive SI window system

from  
**0,83**  
Uf(w/m<sup>2</sup>K)

from  
**0,68**  
Uw(w/m<sup>2</sup>K)

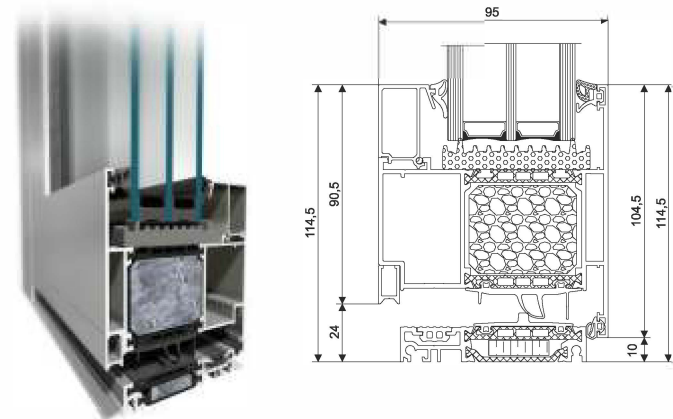


## MB 104 system

MB 104 Passive SI + door system

from  
**0,98**  
Uf(w/m<sup>2</sup>K)

from  
**0,72**  
U<sub>g</sub>(w/m<sup>2</sup>K)

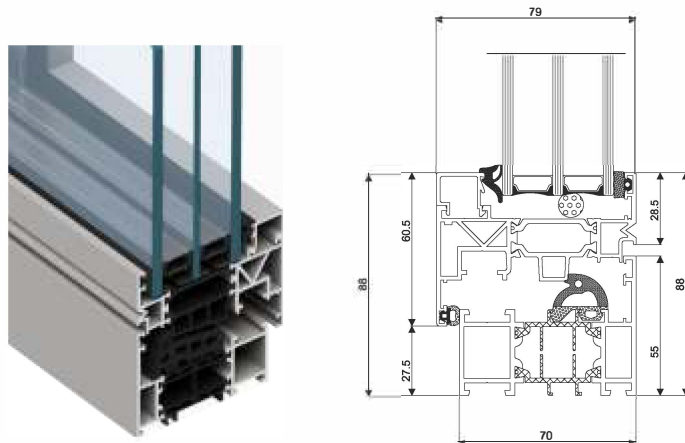


## MaxView system

MaxView window system

from  
**1,0**  
Uf(w/m<sup>2</sup>K)

from  
**0,9**  
Uw(w/m<sup>2</sup>K)

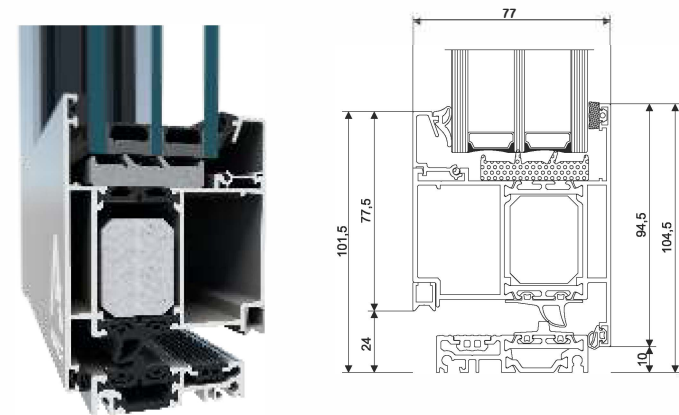


## MB 86N system

MB 86N SI+ door system

from  
**0,97**  
Uf(w/m<sup>2</sup>K)

from  
**0,88**  
U<sub>g</sub>(w/m<sup>2</sup>K)

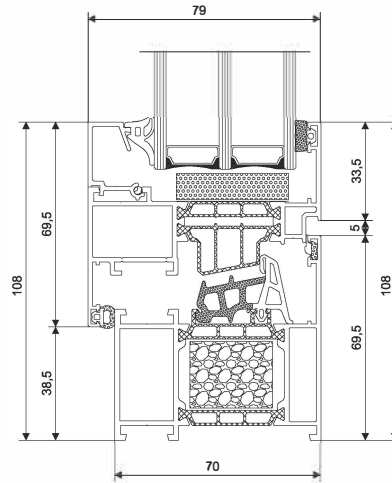
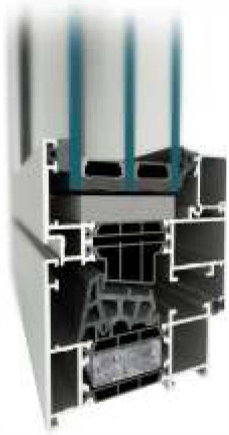


# MB 79N system

MB 79N SI window system

from **0,83**  
Uf(w/m<sup>2</sup>K)

from **0,81**  
Uw(w/m<sup>2</sup>K)

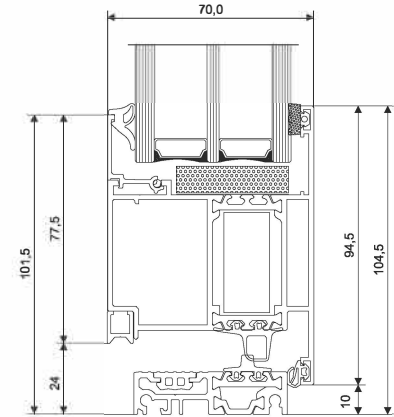


# MB 79N system

MB 79N SI+ door system

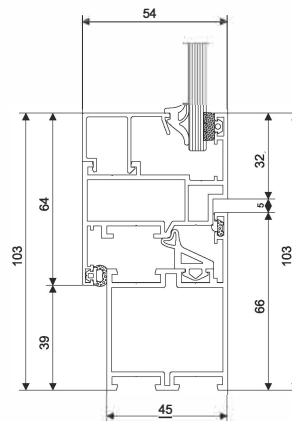
from **1,17**  
Uf(w/m<sup>2</sup>K)

from **1,04**  
U<sub>g</sub>(w/m<sup>2</sup>K)



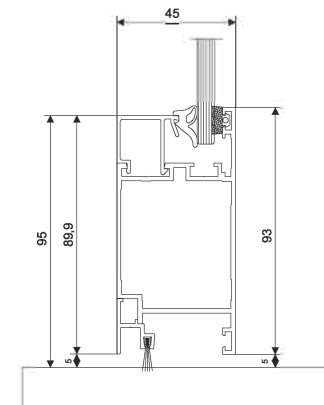
# MB 45 system

Window system



# MB 45 system

Door system



## Pull handles

SERIES AD



SERIES PPA



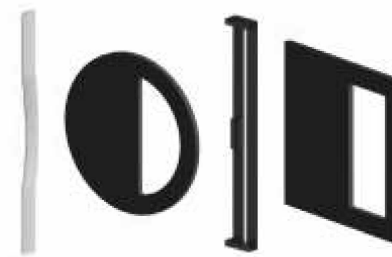
SERIES Z



SERIES QA



SERIES QA



SERIES QS/G



SERIES M





**AD series**



AD-01



AD-02



AD-03



AD-08



AD-09



AD-14



AD-15



AD-16

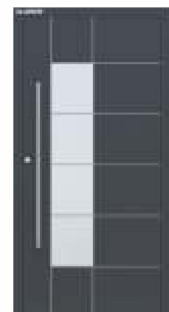
**AG series**



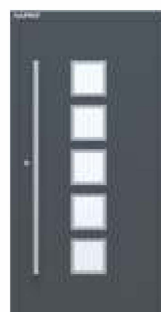
AG-01



AG-01B



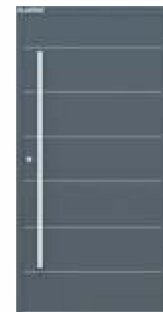
AG-02



AG-03



AG-04



AG-05

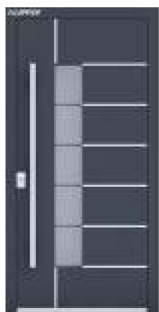


AG-06

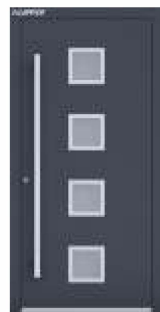


AG-07

**AP series**



AP-02



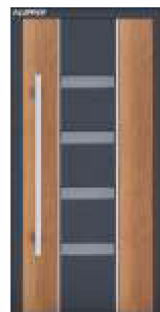
AP-03



AP-04



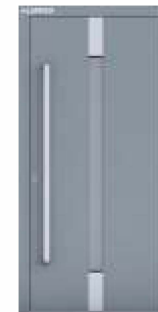
AG-P-05



AP-09



AP-10



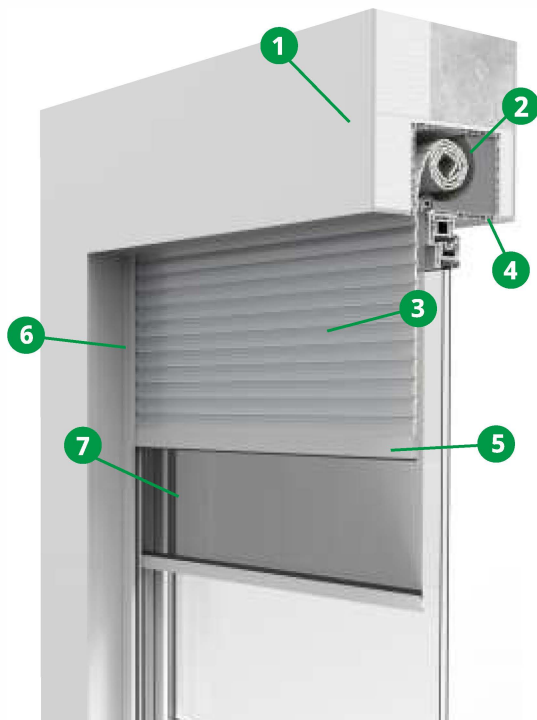
AP-11



AP-12

## RN - BERLIN

I Top - mounted roller shutters



Top - mounted roller shutters feature a PVC cassette with an inspection cover from below or on the front (inside face). A mounted cassette can be enclosed on the inside, outside or on both sides of the window opening. Available cassette heights: 165 mm, 205 mm, 245 mm.

- 
- 1. Flush-mounted 2. Winding element
  - 3. Slats 4. Inspection hatch 5. Bottom slat
  - 6. Guide 7. Optional mosquito net

## RS - OSLO

I Surface mounted roller shutters

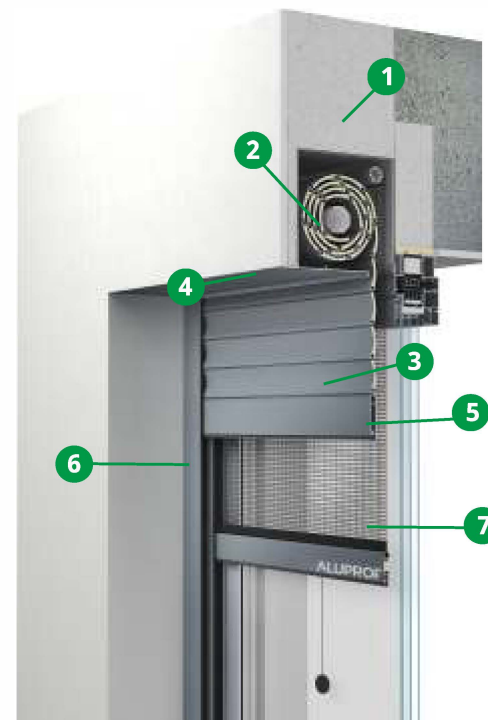


The front shutters are made of aluminum and are visible above a window. The cassette may be mounted on the façade above a window or in the window opening. Available cassette heights: 137 mm, 165 mm, 180 mm, 205 mm.

- 
- 1. Inspection hatch 2. Winding element 3. Slats
  - 4. Roller cassette 5. Bottom slat
  - 6. Guide 7. Structural wall insulation

## RZ - BARCELONA

I Flush - mounted roller shutters



The roller shutter box is made of aluminum with an inspection cover on the bottom (external face). The roller shutter box is installed in front of the window in the lintel. Available cassette heights: 137 mm, 165 mm, 180 mm, 205 mm.

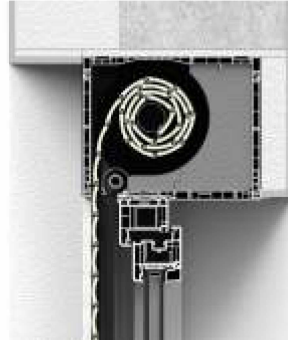
- 
- 1. Flush-mounted 2. Winding element
  - 3. Slats 4. Inspection hatch 5. Bottom slat
  - 6. Guide 7. Optional mosquito net

## Top - mounted roller shutters

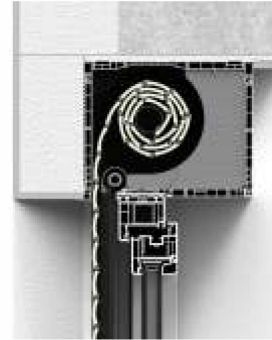
These feature an inspection cover from below or on the front.  
**Cassette mounting options:**



on the inside and outside



on the inside



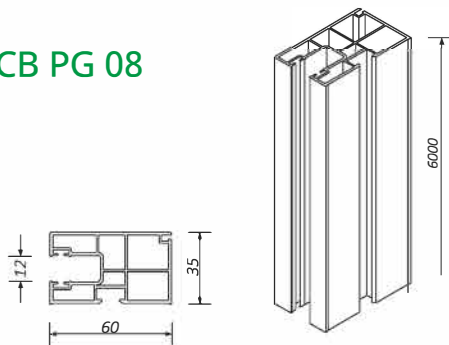
on the outside



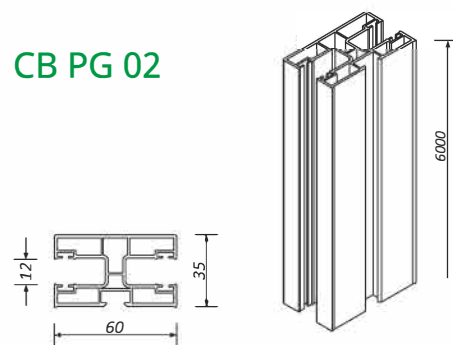
not enclosed

## PVC roller shutter guide rails

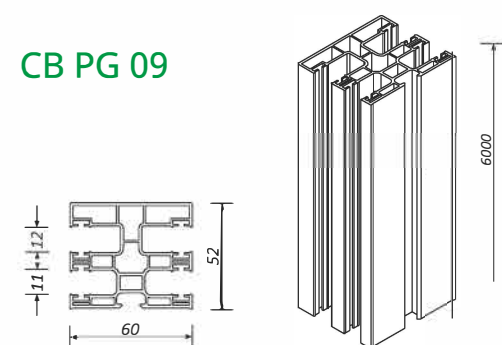
CB PG 08



CB PG 02

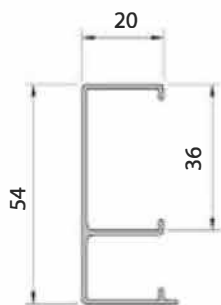


CB PG 09

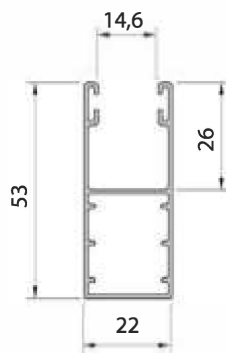


## Aluminum roller shutters guides

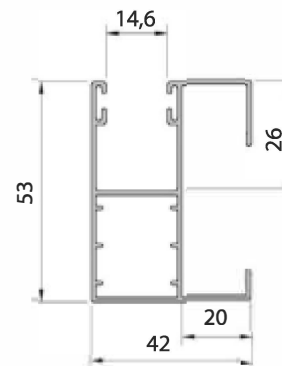
D/PP



PP 53

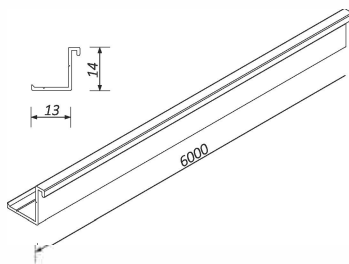


PP 53/ODS/20

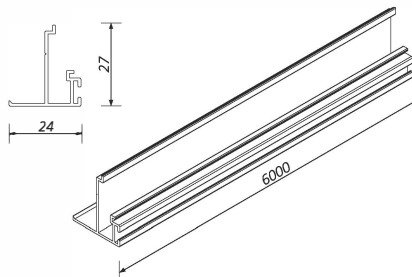


## Housing angle bars

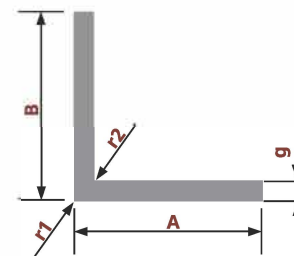
CB AA 00



CB AA 02



Angle bar for RZ 20x20x2 roller shutter





## Cassette and guides colour



## Slats



## Manual drive



Tape winder



Tape winder with a crank

## Motors



Electric limit switch  
Nice ERA motor



Mechanical limit switch  
Nice ERA M motor



Somfy OXIMO IO motor  
Electric limit switches with a receiver



Somfy ILMO WT motor electric  
limit switch



Somfy OXIMO RTS motor electric  
limit switches with a receiver



ELERO RolSolar electric motor limit switch and receiver  
with a solar panel and battery pack



## Remote control / push-button switch / radio wall transmitter



Nice MW1



Nice MW2



Nice MW3



Nice W1



Nice W6



Nice slieT-6



Nice Pview 99 Teils remote control with a clock



Nice P1



Nice P18



Nice P6



SomfyTelis 16 RTS with a clock



Somfy Situo 5 IO



Somfy Situo 1 IO



Somfy Tahoma Switch



Somfy touch switch



Somfy Smoove 1 IO



Somfy Smoove 1 RTS



Somfy push - button switch, flush mounted, battery powered



Somfy Nina Timer IO with a clock / with a touchscreen



Somfy Nina IO



Somfy key operated switch, suitable for plastering



Flush - mounted Somfy key operated switch

Photographed items may vary slightly from the actual products.

## External Venetian blinds

### RB - BONN

Venetian blind in a top-mounted cassette

Suitable for installation both in new builds and retrofits.



- cassette and guides - Beclever
- Venetian blinds - Aluprof, automatic control - Somfy
- maximum dimensions: 4200 mm and 3800 mm with a cassette, or 3555 mm window height
- aluminum sheet metal lemellas, available in two shapes: C80 and Z90
- C80** - their shape makes them extremely resistant to wind, swivel: from 0 to 180°
- Z90** - provide greater shading and include an additional soundproofing gasket, swivel range: from 0 to 90°
- cassette height: 245 mm

### RE - NAPOLI

surface mounted Venetian blind

Attachment options: Façade mounted or in the window recess of existing buildings.



- cassette, guides, Venetian blinds - Aluprof
- automatic control - Somfy
- maximum dimensions: 4500 x 4000 mm
- aluminum sheet metal lemellas, available in two shapes: C80 and Z90
- C80** - their shape makes them extremely resistant to wind, swivel: 0 - 180°
- Z90** - provide greater shading and include an additional soundproofing gasket, swivel: 0 - 90°
- available cassette heights: 200 mm, 250 mm, 300 mm, 390 mm

### RP - SPLIT

flush-mounted Venetian blind

Suitable for new builds or existing buildings, but with the necessary alterations to the lintel.

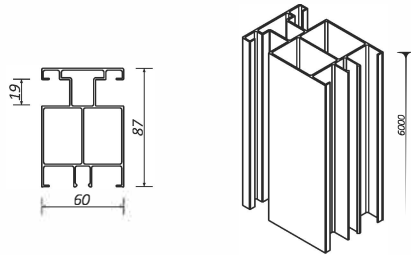


- cassette, guides, Venetian blinds - Aluprof
- automatic control - Somfy
- maximum dimensions of one Venetian blind: 4500 x 4000 mm
- aluminum sheet metal lemellas, available in two shapes: C80 and Z90
- C80** - their shape makes them extremely resistant to wind, swivel: 0 - 180°
- Z90** - provide greater shading and include an additional soundproofing gasket, swivel: 0 - 90°
- available cassette heights: 200 mm, 250 mm, 300 mm, 390 mm

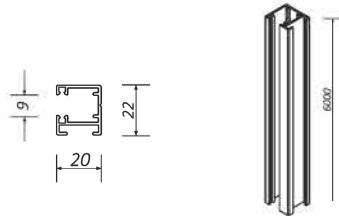
## Guides

Aluminum guide for top-mounted Venetian blinds RB - BONN based on BeClever cassettes.

### CB PG 10



### CB PG 13

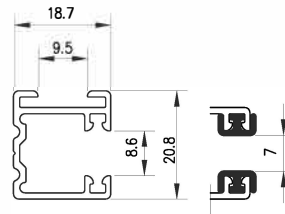


The CB PG 10 guide is mounted directly to the frame in the same way as a roller shutter guide, while the CB PG 13 additionally requires a CBAF04 bracket.



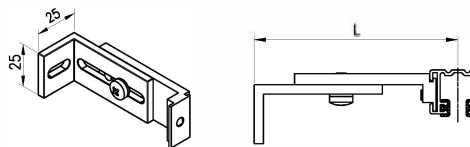
Aluminum guide for RE - NAPOLI surface mounted Venetian blinds made by Aluprof. The PP SZF guide is mounted on a UP SZF 1 and UP SZ 2 brackets.

### PP SZF

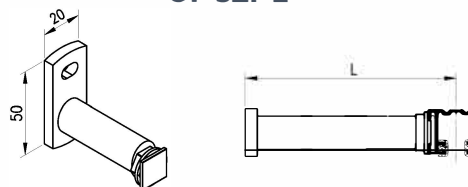


The PP SZF guide is mounted on a UP SZF 1 and UP SZ 2 brackets.

### UP SZF 1

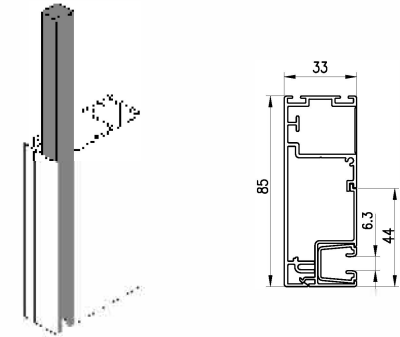


### UP SZF 2

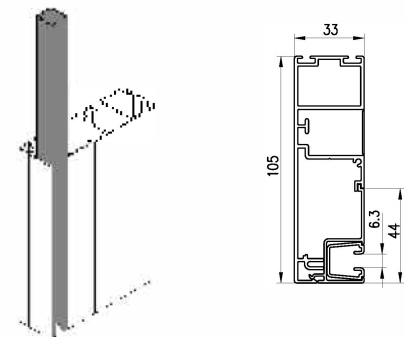


Aluminum guide for RP - SPLIT flush mounted Venetian blinds made by Aluprof.

### PW UF 85



### PW UF 105



The PW UF 85 and PW UF 105 guides are attached directly to the frame.



## Control accessories

### Remotes



NINA  
- touch - screen remote control



NINA T  
- touch - screen remote control  
and timer



SITU01V  
- 1 channel remote control  
dedicated to Venetian blinds



SITU05V  
- 5 channel remote control  
dedicated to Venetian blinds

### Sunlight sensor



SUNIS  
- sunlight sensor

### Rain sensor



ONDEIS  
- Rain sensor

### Wind sensor



EOLIS 230  
- wired wind sensor



EOLIS WF  
- WIFI wind sensor



TAHOMA  
- Tahoma Switch control unit

Somfy Wind sensor. Recommended as a safety feature for blinds. When wind exceeds a certain speed, the Venetian blinds are automatically retracted into the cassette as protection against damage.

## Technical parameters

	Advance GEALAN S 9000 AD	Synergic GEALAN S 8000	Perspective GEALAN S 9000	Verano GEALAN - SMOOVIO	Quadro GEALAN-KUBUS	Vector VEKA Softline 82 MD	Energetic GEALAN S 9000 MD	Protecto GEALAN S 9000 MD	Contur GEALAN LINEAR
Waterproofness	7A wg DIN EN 12208	E750 wg DIN EN 12208	7A wg DIN EN 12208	7A wg DIN EN 12208	4A wg DIN EN 12208	E750 wg DIN EN 12208	E900 wg DIN EN 12208	E1200 wg DIN EN 12208	E900 wg DIN EN 12208
Wind load resistance	C5 wg DIN EN 12210	C5 wg DIN EN 12210	C1/B2 wg DIN EN 12210	C1/B2 wg DIN EN 12210	C5 wg DIN EN 12210	C5 wg DIN EN 12210	C5 wg DIN EN 12210	C5 wg DIN EN 12210	C5 wg DIN EN 12210
Air permeability	4 wg DIN EN 12207	4 wg DIN EN 12207	4 wg DIN EN 12207	4 wg DIN EN 12207	4 wg DIN EN 12207	4 wg DIN EN 12207	4 wg DIN EN 12207	4 wg DIN EN 12207	4 wg DIN EN 12207
Number of chambers	6	6	5	4	4	7	6	6	6
Installation depth (mm)	82,5	74	190	150	82,5	82	82,5	82,5	74
Straight sash (Classic)	v	v	v	v	v	v	v	v	v
Rounded sash (Round)	x	v	x	x	x	x	v	x	x
Wk1 anti-burglary resistance class (RC1)	Optional	Optional	Optional	Optional	Optional	Optional	Optional	Optional	Optional
Wk2 anti-burglary resistance class (RC2)	Optional	Optional	x	Optional	Optional	Optional	Optional	Optional	Optional
Uw (W/m2K) for the reference window 1,23x1,48 (Ug 0,5 + Swissp. V)	0,83	0,823	0,8	0,85	0,7	0,77	0,713	0,713	0,77
Frame heat transfer coefficient Uf	1,2	1,1 - 1,2	1,2	1,4	0,88	1,0	0,92	0,92	1,0
Acoustic insulation coefficient Rw	30 to 51 dB	30 to 48 dB	30 to 51 dB	30 to 48 dB	30 to 48 dB	30 to 48 dB	30 to 51 dB	30 to 51 dB	30 to 48 dB
Total solar energy transmittance factor g	37 to 62	37 to 62	37 to 62	37 to 62	37 to 62	37 to 62	37 to 62	37 to 62	37 to 62
Light transmittance factor LT	20 to 74	20 to 74	20 to 74	20 to 74	20 to 74	20 to 74	20 to 74	20 to 74	20 to 74
Profiles' foam filling technology IKD	x	x	x	x	v	x	x	Optional	x
Static dry glazing bonding technology STV	Optional	Optional	x	x	v	Optional	Optional	Optional	Optional

Notes

---

---

---

---

---

---

---

---

---

---

---

---

---

---

---

---

---

---

---

---

---

---

---

---

---

---

Notes

Lined area for taking notes, consisting of multiple horizontal lines.

 **Lemand Groep B.V.**

Lemand Groep B.V.

+31(0)615249425

andrei@lemand.eu

Kryptonstraat 28B 7031 GG Wehl

Netherlands

[www.lemand.eu](http://www.lemand.eu)